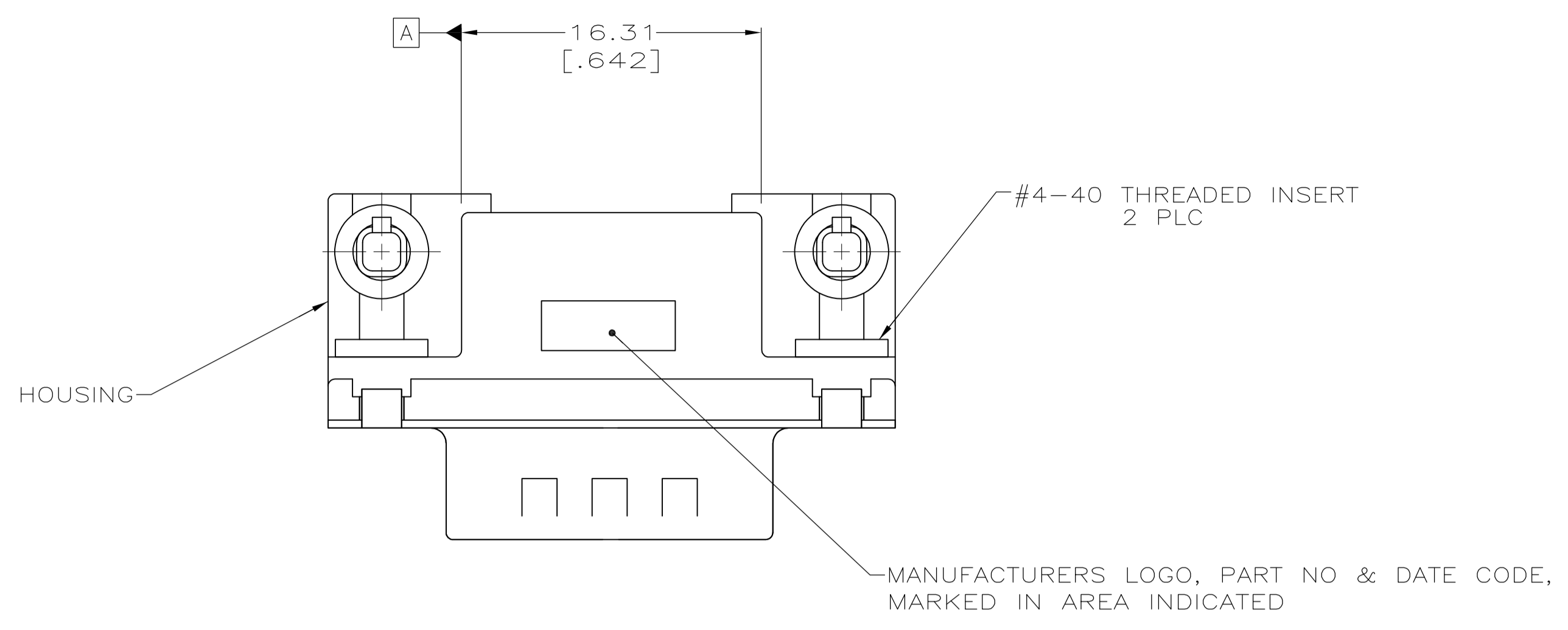
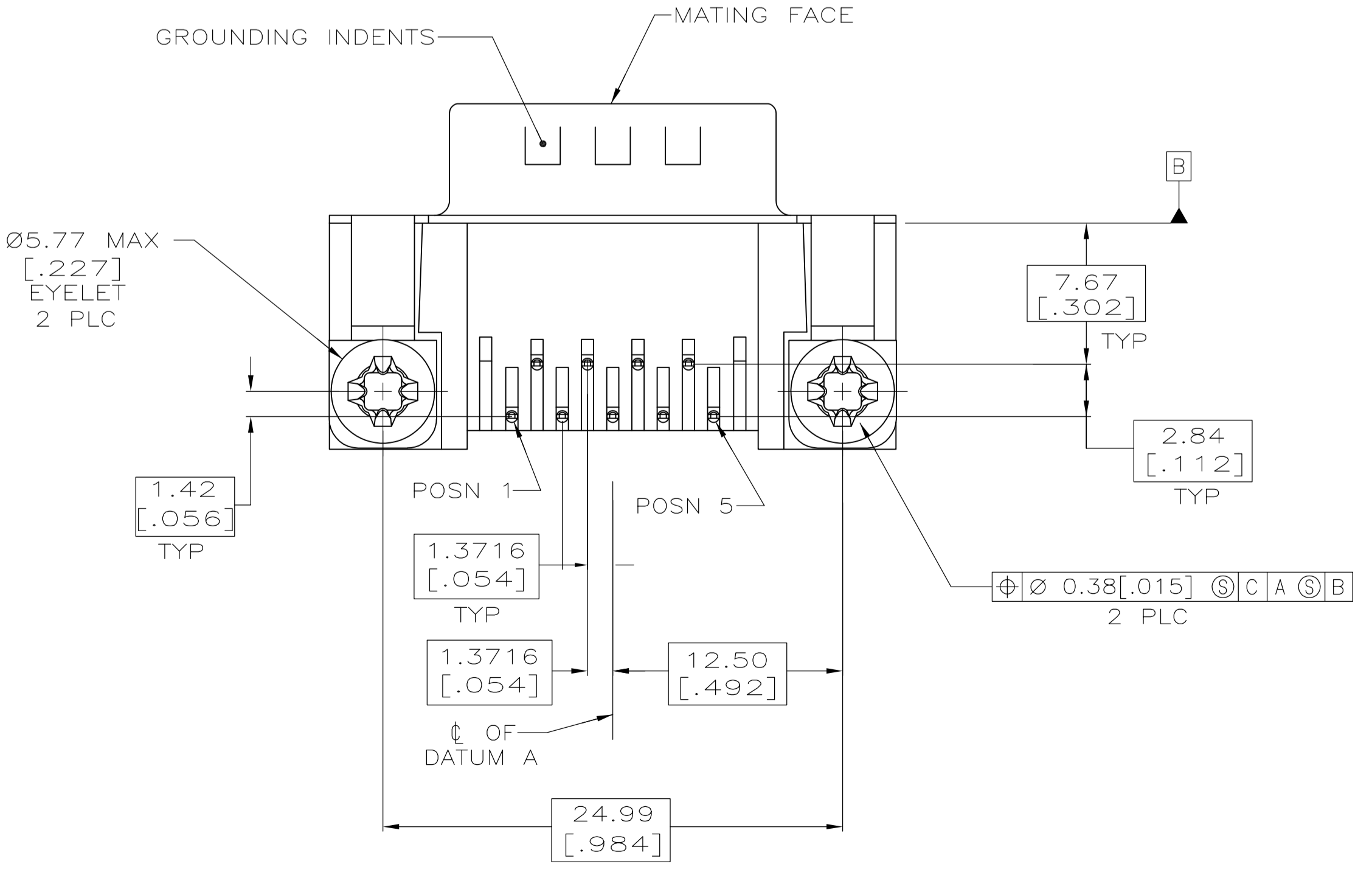
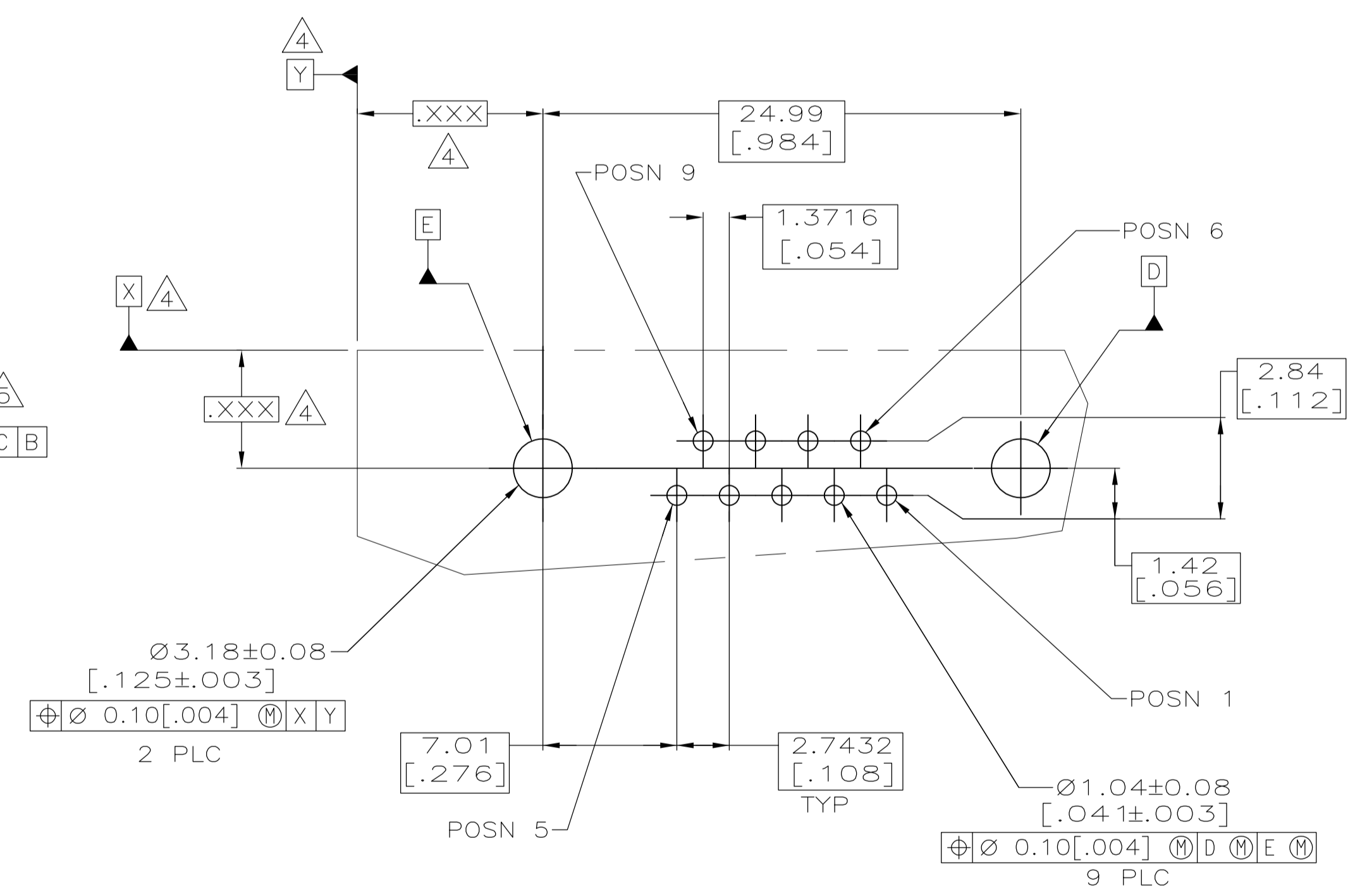
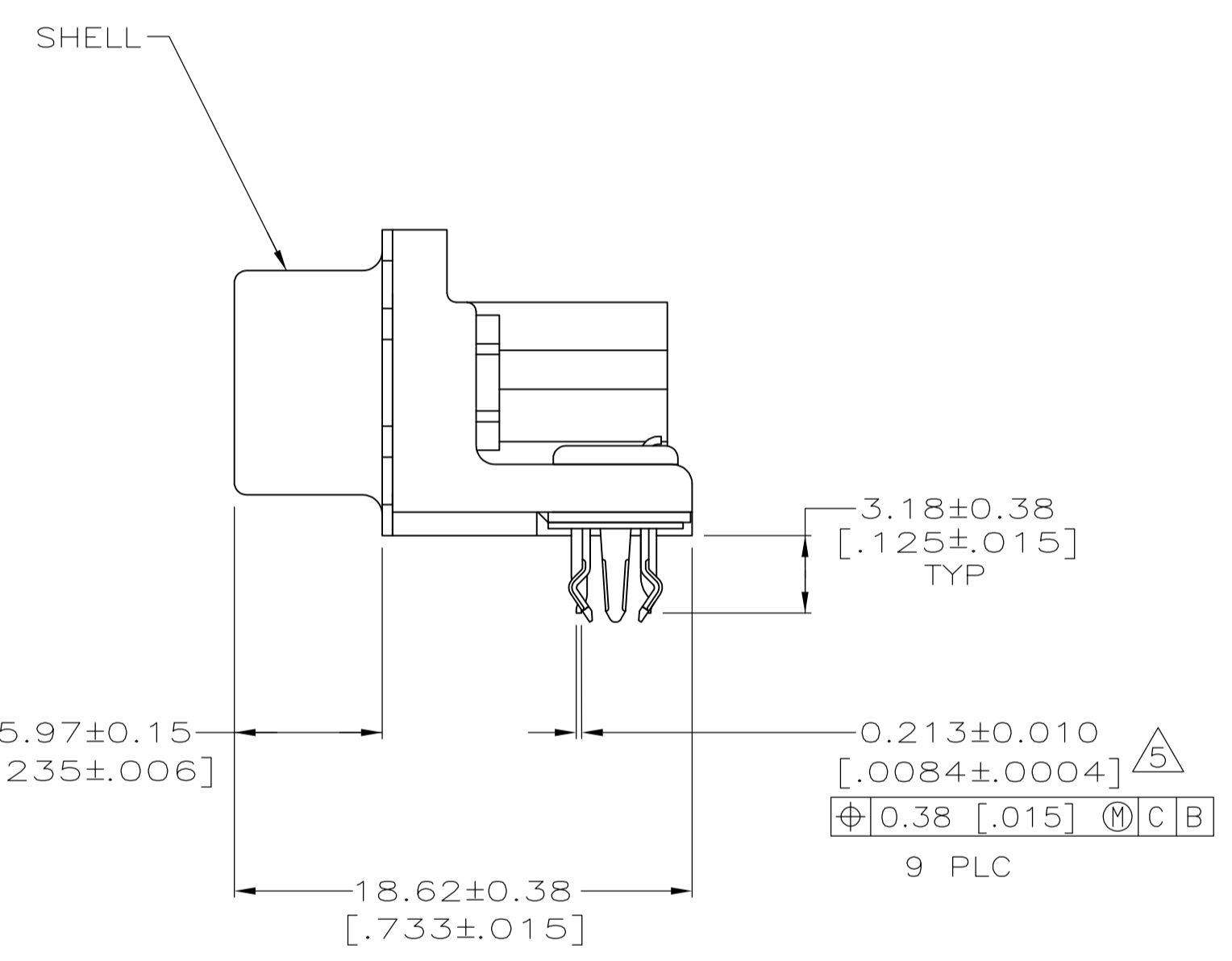
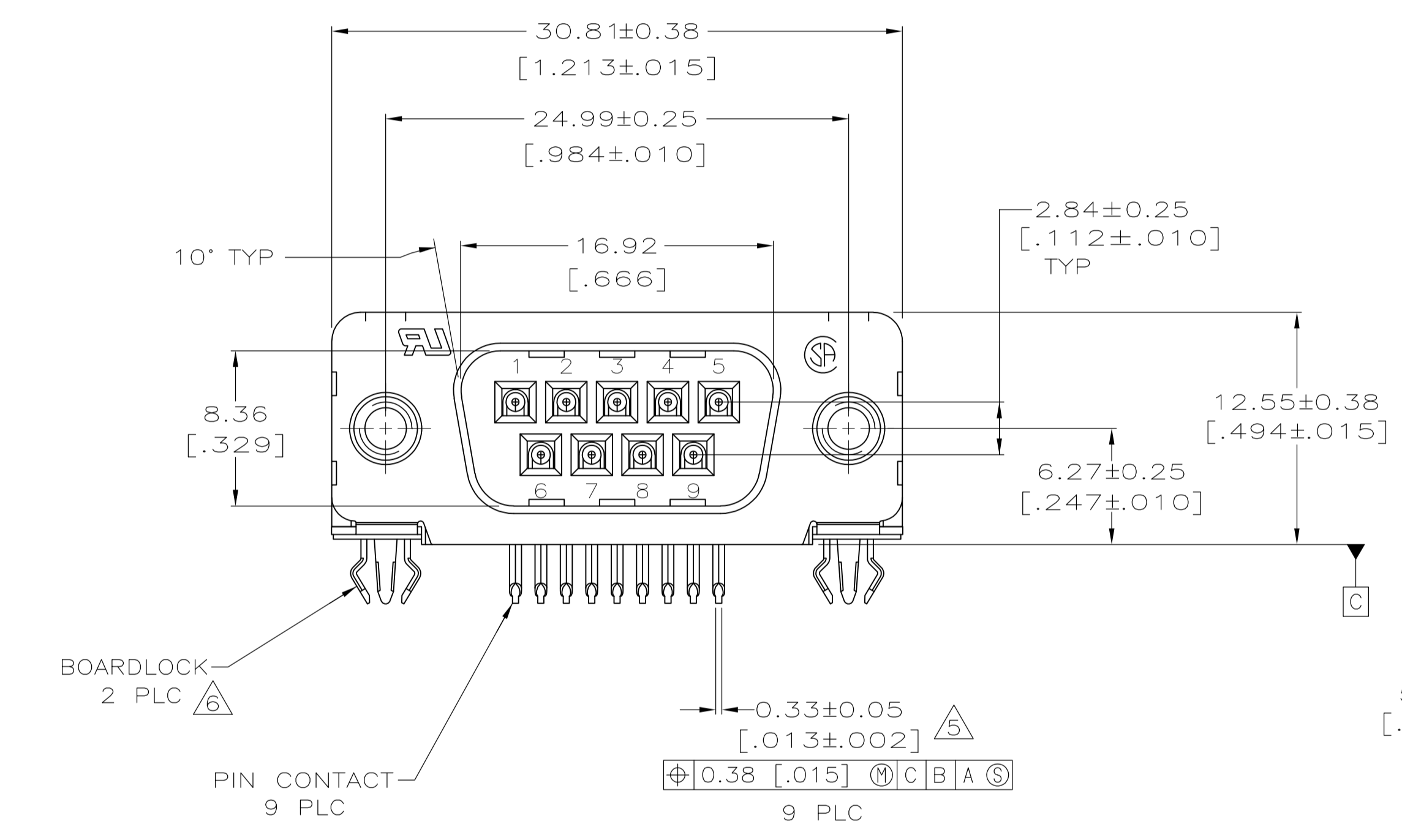


LOC		DIST		REVISONS			
GP	00	P	LTR	DESCRIPTION	DATE	DWN	APVO
C				REVISED PER ECO-12-022391	02JAN2013	CJV	SLB



- 1 HOUSING: NYLON, UL 94VO RATED, BLACK.  
SHELL: CARBON STEEL.  
PIN CONTACTS: BRASS.  
EYELETS: BRASS.  
THREADED INSERTS: ZINC.  
BOARDLOCKS: COPPER ALLOY.
- 2 PIN CONTACTS: 0.76μm[.000030] MIN GOLD PLATE ON THE MATING SURFACES, 2.54μm[.000100] MIN TIN PLATE ON THE SOLDER END, 1.27μm[.000050] MIN NICKEL UNDERPLATE ON THE ENTIRE CONTACT  
-OR-  
GOLD FLASH OVER PALLADIUM-NICKEL PLATE, 0.76μm[.000030] MIN TOTAL ON THE MATING SURFACES, 2.54μm[.000100] MIN TIN PLATE ON THE SOLDER END, 1.27μm[.000050] MIN NICKEL UNDERPLATE ON THE ENTIRE CONTACT.  
EYELETS: 2.54μm[.000100] MIN TIN OVER COPPER FLASH.  
SHELL: 2.54μm[.000100] MIN TIN OVER 1.27μm[.000050] MIN COPPER.  
THREADED INSERTS: CLEAR CHROMATE.  
BOARDLOCKS: 3.81μm[.000150] MIN TIN OVER 1.27μm[.000050] MIN NICKEL.
- 3 PIN CONTACTS: GOLD FLASH ON THE MATING SURFACES, 2.54μm[.000100] MIN TIN PLATE ON THE SOLDER END, 1.27μm[.000050] MIN NICKEL UNDERPLATE ON THE ENTIRE CONTACT.  
EYELETS: 2.54μm[.000100] MIN TIN OVER COPPER FLASH.  
SHELL: 2.54μm[.000100] MIN TIN OVER 1.27μm[.000050] MIN COPPER.  
THREADED INSERTS: CLEAR CHROMATE.  
BOARDLOCKS: 3.81μm[.000150] MIN TIN OVER 1.27μm[.000050] MIN NICKEL.
- 4 DATUMS AND BASIC DIMENSIONS ESTABLISHED BY CUSTOMER.
- 5 POSITION TOLERANCE APPLIES AT CONTACT TIP.
- 6 BOARDLOCKS WILL ACCEPT .062 MAX PRINTED CIRCUIT BOARD THICKNESS.
- 7. COMPATIBLE WITH REFLOW SOLDERING APPLICATIONS TO A MAXIMUM OF 225°C FOR A MAXIMUM DURATION OF 90 SECONDS. TEMPERATURE TO BE MEASURED ON CONNECTOR SURFACE.



3	5788792-2
2	5788792-1
FINISH	PART NO

THIS DRAWING IS A CONTROLLED DOCUMENT. DIMENSIONING AND TOLERANCING PER ASME Y14.5M-2009		DIN L VARELA - DOCKS 04-11-05		S BOLASH 04-11-05		M WALMSLEY 04-11-05		NAME	
DIMENSIONS: mm [INCHES]		TOLERANCES UNLESS OTHERWISE SPECIFIED:		PRODUCT SPEC		APPLICATION SPEC		SIZE	
0 PLC	± .005	1 PLC	± .005	108-40025	114-40010	108-40025	114-40010	00779	5788792
1 PLC	± .005	2 PLC	± 0.13 [.005]	HIGH TEMPERATURE, AMPLIMITE HD-20		CAGE CODE		DRAWING NO	
2 PLC	± .005	3 PLC	± .005	RESTRICTED TO		SCALE		SHEET	
3 PLC	± .005	4 PLC	± .005	CUSTOMER DRAWING		4:1		1 OF 1	
4 PLC	± .005	ANGLES	± .2°	REV		C		1	
MATERIAL	SEE TABLE	FINISH	SEE TABLE	SCALE		SHEET		REV	

**COPYRIGHT 2005 TYCO ELECTRONICS CORP ALL RIGHTS RESERVED**